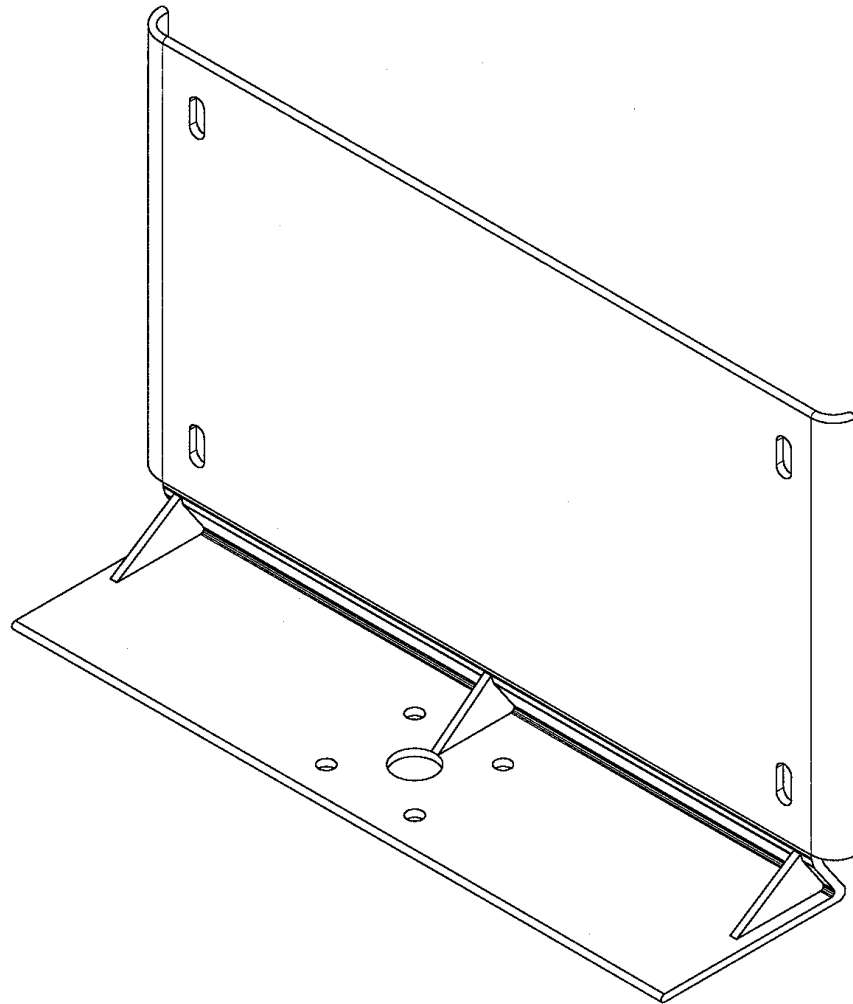




**PLASMITA MOUNTING SYSTEM  
P/N 900815-412-4B**

1648 West 134<sup>th</sup> Street, Gardena, California 90249  
(310) 808-0001 Fax (310) 808-9092 [www.inca-tvlifts.com](http://www.inca-tvlifts.com)

The Plasmita Mounting System P/N 900815-412-4B is specifically designed to mount a small/LCD screen to the Inca Plasmita Automatic Micro Swivel P/N 900810-6B, or Manual Micro Swivel P/N 900801-4B. This mounting system enables a Plasma television to attach to a swivel without the use of an enclosure around it. The mounting system is composed of an extremely sturdy, 1/8" aluminum plate. It is also formed, heliarc-welded, and anodized black. Four obround slots are provided to facilitate the attachment of the mount to the back of the Plasma TV or to the Inca 900814-412-1. Most plasma televisions have a unique mounting bolt pattern. Therefore it is often required that this pattern be transferred to the vertical mounting plate in order to attach the TV.



ITEM NUMBER	WIDTH	DEPTH	HEIGHT	MOUNTS PLASMA TV DISPLAY
900815-412-4B	16.250"	4.75"	15.375"	20" thru 29"

# PLASMITA MOUNTING SYSTEM P/N 900815-412-4B

