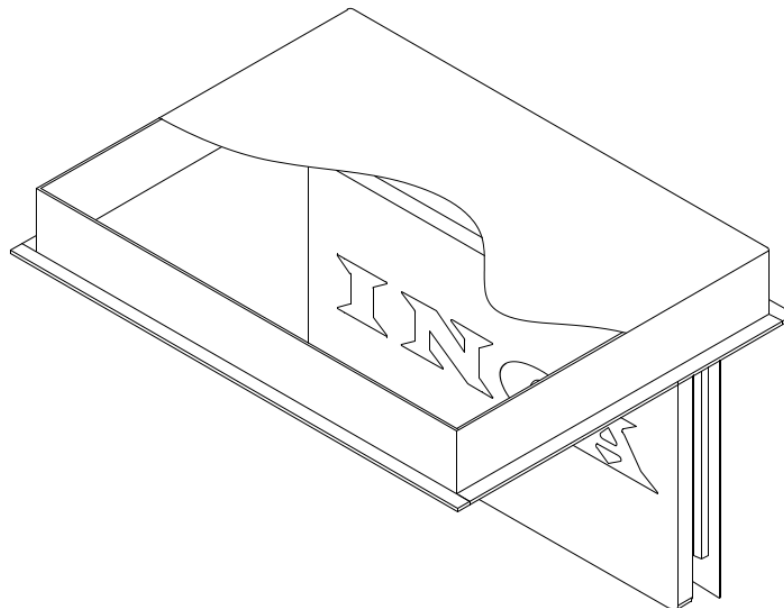




**FLATSCREEN TV MICRO FLIP DOWN
CEILING UNIT
P/N 900815-410-400-FLP**

**1648 West 134th Street, Gardena, California 90249
(310) 808-0001 Fax (310) 808-9092 www.inca-tvlifts.com**

The Inca TV Micro Flip-Down Ceiling series of automation equipment is specifically designed to store Flat Screen TVs in the ceiling and lower them for viewing. This ultra-silent motorized mechanism is made of aluminum and some steel, and powder coated black for long life. The unit contains a plug for the TV and a temperature sensor fan to keep it cool while in the stored position. An external junction box is provided with 25' of cable so that it can be mounted in a convenient accessible location, where the 'dry contact', RF radio remote, and power sensor module are attached. The j-box contains a selector switch to choose various control modes, and a built-in rocker switch to raise and lower the unit. It also has 1" flanges around the outside of the unit to use when mounting it to the ceiling. Provisions are made to "unroll" the customer's video cables, while the unit is deploying, as well as retract them when the unit is in the stored position. A TV mounting plenum is also included to permit easy cable management and to enhance heat flow from the TV. A soft seal covers the shroud ceiling surface so that the unit is completely sealed when folded up in the closed position. The unit weighs approximately 35 lbs. and is shipped in a special crate to prevent shipping damages. It operates on US Standard, 110 VAC, 60 Hz power, but can be configured for use anywhere in the world via the selection of accessory package.



SPECIAL FEATURES FOUND ON THIS UNIT

- Measures only 3.0" in height
- Light weight and easier to install
- Outer flanges to mount the unit
- Standard and Custom units available

ITEM NUMBER	DESCRIPTION	WIDTH	DEPTH	HEIGHT
900815-410-22F-LP	Standard 16-22"	24.000"	22.000"	3.0"
900815-410-28F-LP	Standard 24-28"	28.000"	24.500"	3.0"
900815-410-400-FLP	Custom Fold-Down	Varies	Varies	3.0"