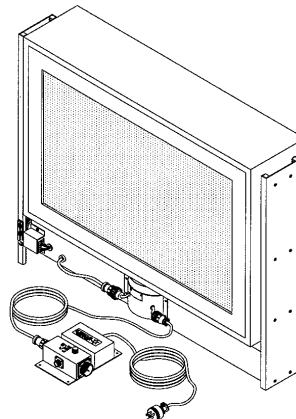
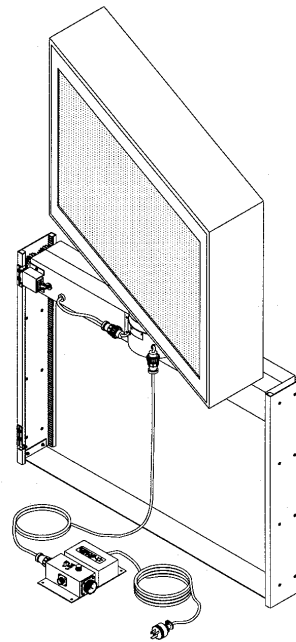
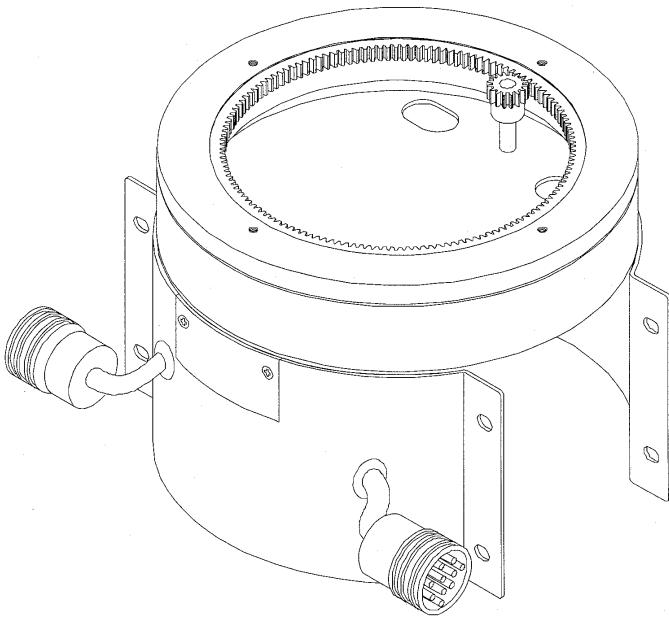




LOW PROFILE PLASMITA MICRO SWIVEL P/N 900810-6B

1648 West 134th Street, Gardena, California 90249
(310) 808-0001 Fax (310) 808-9092 www.inca-tvlifts.com

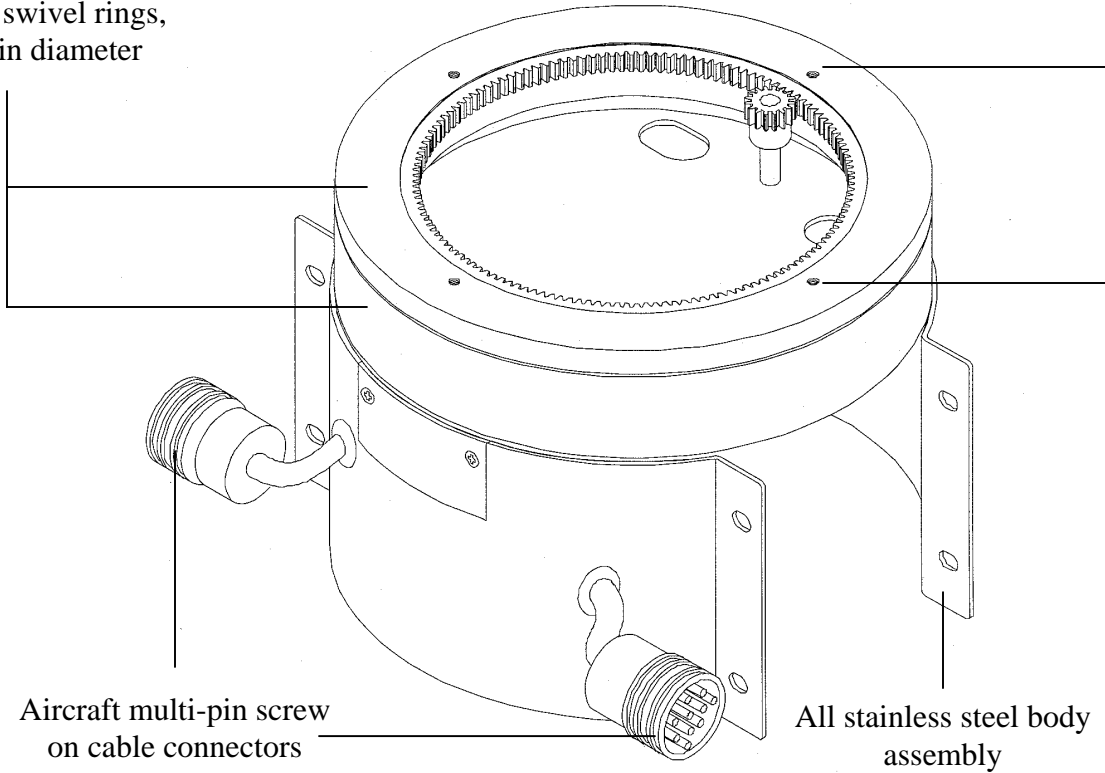
The Inca Low Profile Plasmita 5.75" Micro Swivel is designed specifically to raise and turn, to any desired viewing angle, a miniature plasma screen or an LCD. This microswivel is an accessory for use on the Inca Plasmita Lift, P/N 900815. Installation of the swivel on a Plasmita lift adds only 1" to the height of the lifting mechanism. The swivel is extremely rugged, fabricated from a 14-gage stainless steel. The finished swivel is deep anodized for corrosion resistance. The rotating ring of the swivel is motor driven, and includes four each 6 - 32 threaded attachment points for the plasma enclosure. Ports provide easy cable drop from the plasma TV, to pass through the swivel. Easily adjusted magnetic cams provide default left and right stopping points. The interlocked centering switch requires the unit to be on zero before the lift can move. The external J-box allows controllers to be attached to the system away from the lift. The unit is supplied with a dual channel RF transmitter and receiver, but touch-screen compatible controllers are readily available.



LOW PROFILE PLASMITA MICRO SWIVEL P/N 900810-6B

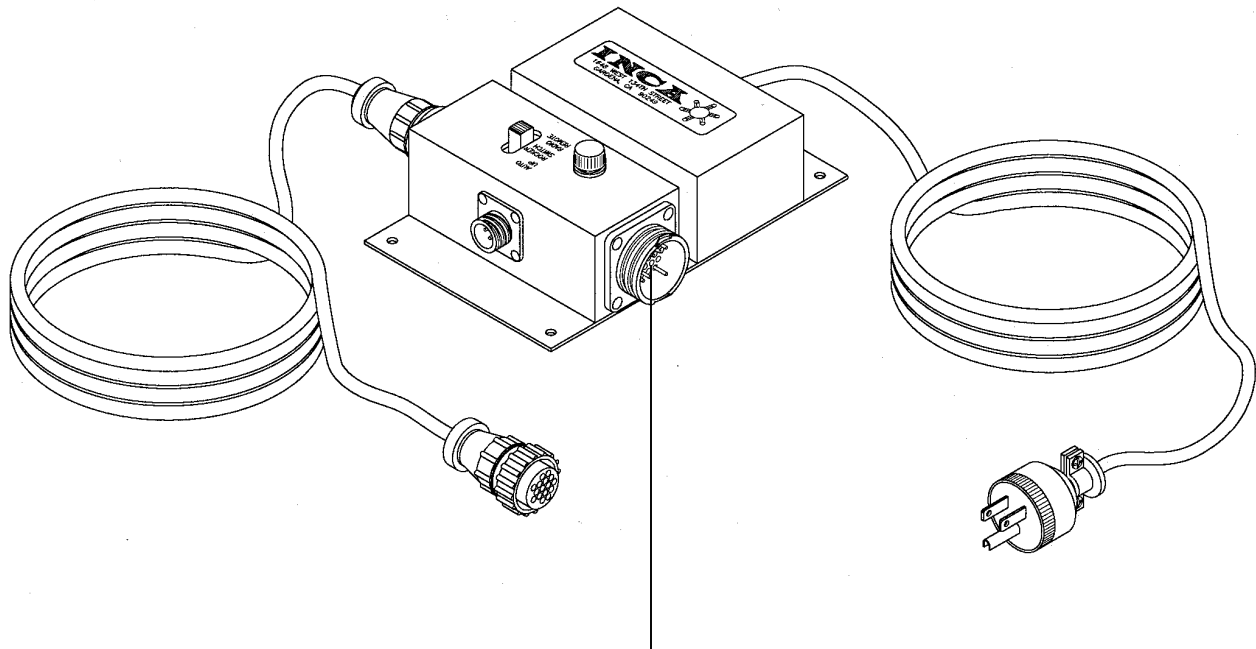
Anodized fixed and
rotating swivel rings,
5.75" in diameter

6-32 threaded
attachment points for
the plasma enclosure



Aircraft multi-pin screw
on cable connectors

All stainless steel body
assembly



External universal J-box to attach the
controllers to the lift and swivel