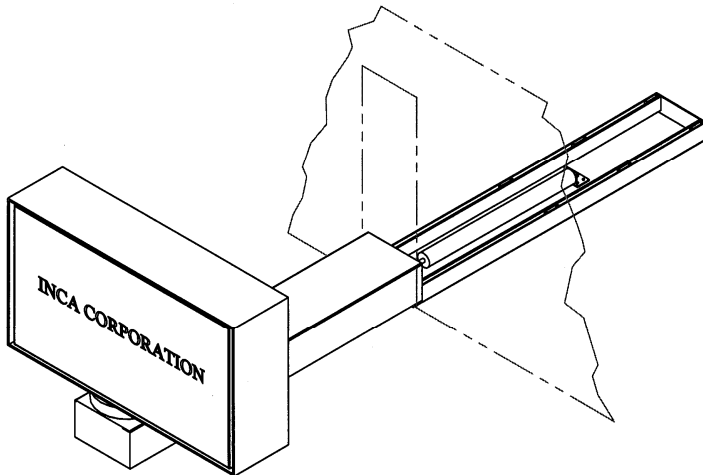
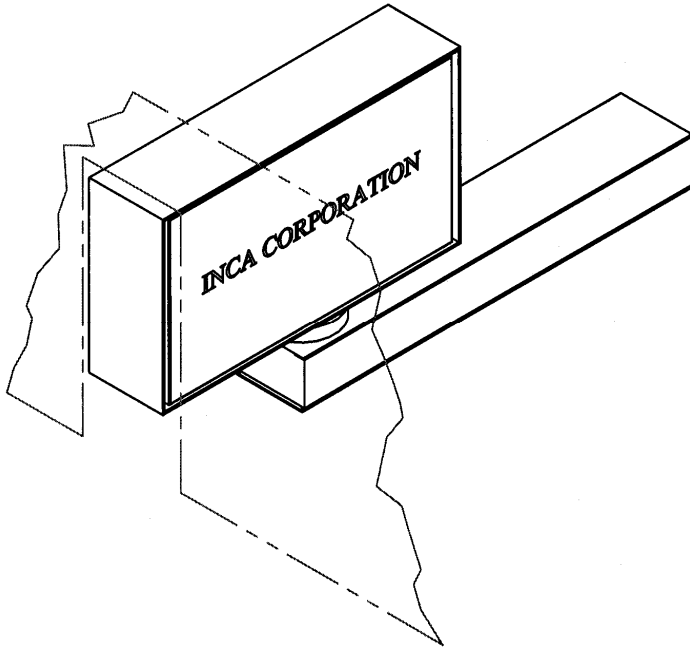




**FLATSCREEN SIDESLIDER PULLOUT
WITH AUTOMATIC SWIVEL
P/N 900500-SSP-S**

1648 West 134th Street, Gardena, California 90249
(310) 808-0001 Fax (310) 808-9092 www.inca-tvlifts.com



The Flatscreen side-slider automatic remote operated pullout and swivel mechanism, P/N 900500-SSP-S is designed to hold a flatscreen, extract it from a concealment, and swivel it to any desired viewing position, all on remote control. The automatic, 8.50" diameter swivel is specially built just for turning flat TVs. The internal rolling cable trays accommodate your TV signal and power cables to provide cable management during motion. This machine can be operated by an RF dual channel controller or through programmed 12 VDC/Dry contact closure from a touch-screen system. All controls are attached via an external j-box, which is on a 25' cable tether, to permit the installation of the controls in an easily accessed area. Custom sizes are readily available. This unit is shipped fully assembled, crated, and ready for installation.

ITEM NUMBER	DESCRIPTION	WIDTH	DEPTH	HEIGHT	EXTENSION	CAPACITY
900500-400-SSP-S	Custom Sideslider Pullout and Swivel	Varies	9.50"	7.25"	Varies	150 LBS.